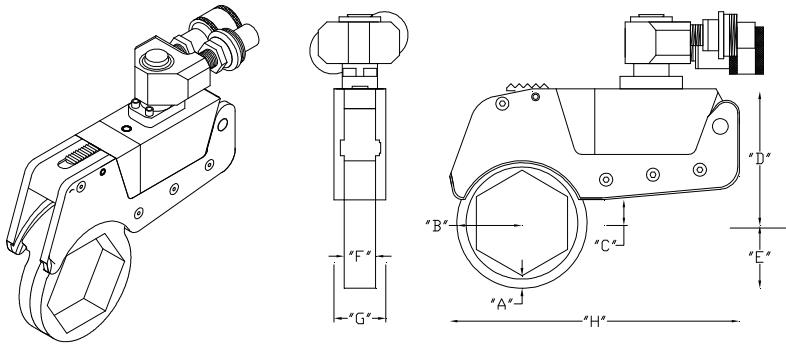


M DRIVE RATCHET CASSETTE



To determine dimensions of sizes not listed, use next larger hex size. For example, an M8 with an 85mm hex will have approximately the same dimensions as an M8 with 90mm hex.

IMPERIAL

M - 2 MAX. TORQUE: 1300 FT. LBS. @ 10k PSI

Description	"A"	"B"	"C"	"D"	"E"	"F"	"G"	"H"
M - 2 with 1-1/16" hex	.375"	.99"	.611"	3.28"	.99"	.75"	1.25"	6.96"
M - 2 with 1-1/4" hex	.375"	1.10"	.611"	3.28"	1.10"	.75"	1.25"	6.96"
M - 2 with 1-7/16" hex	.375"	1.20"	.611"	3.28"	1.20"	.75"	1.25"	6.96"
M - 2 with 1-5/8" hex	.375"	1.31"	.611"	3.28"	1.31"	.75"	1.25"	6.96"
M - 2 with 1-13/16" hex	.375"	1.42"	.611"	3.28"	1.42"	.75"	1.25"	6.96"
M - 2 with 2" hex	.375"	1.53"	.611"	3.28"	1.53"	.75"	1.25"	6.96"
M - 2 with 2-3/16" hex	.375"	1.64"	.611"	3.28"	1.64"	.75"	1.25"	6.96"
M - 2 with 2-3/8" hex	.375"	1.75"	.611"	3.28"	1.75"	.75"	1.25"	6.96"

M - 4 MAX. TORQUE: 3080 FT. LBS. @ 10k PSI

Description	"A"	"B"	"C"	"D"	"E"	"F"	"G"	"H"
M - 4 with 1-13/16" hex	.50"	1.55"	.815"	4.38"	1.55"	1.00"	1.67"	9.28"
M - 4 with 2" hex	.50"	1.65"	.815"	4.38"	1.65"	1.00"	1.67"	9.28"
M - 4 with 2-1/16" hex	.50"	1.76"	.815"	4.38"	1.76"	1.00"	1.67"	9.28"
M - 4 with 2-3/8" hex	.50"	1.87"	.815"	4.38"	1.87"	1.00"	1.67"	9.28"
M - 4 with 2-9/16" hex	.50"	1.98"	.815"	4.38"	1.98"	1.00"	1.67"	9.28"
M - 4 with 2-3/4" hex	.50"	2.09"	.815"	4.38"	2.09"	1.00"	1.67"	9.28"
M - 4 with 2-15/16" hex	.50"	2.19"	.815"	4.38"	2.19"	1.00"	1.67"	9.28"
M - 4 with 3-1/8" hex	.50"	2.30"	.815"	4.38"	2.30"	1.00"	1.67"	9.28"

M - 8 MAX. TORQUE: 6,000 FT. LBS. @ 10k PSI

Description	"A"	"B"	"C"	"D"	"E"	"F"	"G"	"H"
M - 8 with 2-3/16" hex	.625"	1.89"	1.02"	5.47"	1.89"	1.25"	2.09"	11.60"
M - 8 with 2-3/8" hex	.625"	2.00"	1.02"	5.47"	2.00"	1.25"	2.09"	11.60"
M - 8 with 2-9/16" hex	.625"	2.10"	1.02"	5.47"	2.10"	1.25"	2.09"	11.60"
M - 8 with 2-3/4" hex	.625"	2.21"	1.02"	5.47"	2.21"	1.25"	2.09"	11.60"
M - 8 with 2-15/16" hex	.625"	2.32"	1.02"	5.47"	2.32"	1.25"	2.09"	11.60"
M - 8 with 3-1/8" hex	.625"	2.43"	1.02"	5.47"	2.43"	1.25"	2.09"	11.60"
M - 8 with 3-1/2" hex	.625"	2.65"	1.02"	5.47"	2.65"	1.25"	2.09"	11.60"
M - 8 with 3-7/8" hex	.625"	2.86"	1.02"	5.47"	2.86"	1.25"	2.09"	11.60"

M - 16 MAX. TORQUE: 10,395 FT. LBS. @ 10k PSI

Description	"A"	"B"	"C"	"D"	"E"	"F"	"G"	"H"
M - 16 with 2-3/4" hex	.75"	2.34"	1.22"	6.57"	2.34"	1.50"	2.50"	13.92"
M - 16 with 2-15/16" hex	.75"	2.44"	1.22"	6.57"	2.44"	1.50"	2.50"	13.92"
M - 16 with 3-1/8" hex	.75"	2.55"	1.22"	6.57"	2.55"	1.50"	2.50"	13.92"
M - 16 with 3-1/2" hex	.75"	2.77"	1.22"	6.57"	2.77"	1.50"	2.50"	13.92"
M - 16 with 3-7/8" hex	.75"	2.99"	1.22"	6.57"	2.99"	1.50"	2.50"	13.92"
M - 16 with 4-1/4" hex	.75"	3.20"	1.22"	6.57"	3.20"	1.50"	2.50"	13.92"
M - 16 with 4-5/8" hex	.75"	3.42"	1.22"	6.57"	3.42"	1.50"	2.50"	13.92"
M - 16 with 5" hex	.75"	3.64"	1.22"	6.57"	3.64"	1.50"	2.50"	13.92"

M - 32 MAX. TORQUE: 24,640 FT. LBS. @ 10k PSI

Description	"A"	"B"	"C"	"D"	"E"	"F"	"G"	"H"
M - 32 with 3-1/2" hex	1.00"	3.02"	1.63"	8.76"	3.02"	2.00"	3.34"	18.56"
M - 32 with 3-7/8" hex	1.00"	3.24"	1.63"	8.76"	3.24"	2.00"	3.34"	18.56"
M - 32 with 4-1/4" hex	1.00"	3.45"	1.63"	8.76"	3.45"	2.00"	3.34"	18.56"
M - 32 with 4-5/8" hex	1.00"	3.67"	1.63"	8.76"	3.67"	2.00"	3.34"	18.56"
M - 32 with 5" hex	1.00"	3.89"	1.63"	8.76"	3.89"	2.00"	3.34"	18.56"
M - 32 with 5-3/8" hex	1.00"	4.10"	1.63"	8.76"	4.10"	2.00"	3.34"	18.56"
M - 32 with 5-3/4" hex	1.00"	4.32"	1.63"	8.76"	4.32"	2.00"	3.34"	18.56"
M - 32 with 6-1/2" hex	1.00"	4.53"	1.63"	8.76"	4.53"	2.00"	3.34"	18.56"

M - 64 MAX. TORQUE: 48,125 FT. LBS. @ 10k PSI

Description	"A"	"B"	"C"	"D"	"E"	"F"	"G"	"H"
M - 64 with 5" hex	1.25"	4.14"	2.04"	10.95"	4.14"	2.50"	4.18"	23.20"
M - 64 with 5-3/8" hex	1.25"	4.35"	2.04"	10.95"	4.35"	2.50"	4.18"	23.20"
M - 64 with 5-3/4" hex	1.25"	4.57"	2.04"	10.95"	4.57"	2.50"	4.18"	23.20"
M - 64 with 6-1/8" hex	1.25"	4.78"	2.04"	10.95"	4.78"	2.50"	4.18"	23.20"
M - 64 with 6-1/2" hex	1.25"	5.00"	2.04"	10.95"	5.00"	2.50"	4.18"	23.20"
M - 64 with 6-7/8" hex	1.25"	5.22"	2.04"	10.95"	5.22"	2.50"	4.18"	23.20"
M - 64 with 7-1/4" hex	1.25"	5.43"	2.04"	10.95"	5.43"	2.50"	4.18"	23.20"
M - 64 with 7-5/8" hex	1.25"	5.65"	2.04"	10.95"	5.65"	2.50"	4.18"	23.20"

METRIC

M - 2 MAX. TORQUE: 1789 Nm @ 700 BAR

Description	"A"	"B"	"C"	"D"	"E"	"F"	"G"	"H"
M - 2 with 27mm hex	9.5	25.1	15.5	83.3	25.1	19.1	31.8	176.8
M - 2 with 32mm hex	9.5	27.9	15.5	83.3	27.9	19.1	31.8	176.8
M - 2 with 36mm hex	9.5	30.5	15.5	83.3	30.5	19.1	31.8	176.8
M - 2 with 41mm hex	9.5	33.3	15.5	83.3	33.3	19.1	31.8	176.8
M - 2 with 46mm hex	9.5	36.1	15.5	83.3	36.1	19.1	31.8	176.8
M - 2 with 50mm hex	9.5	38.9	15.5	83.3	38.9	19.1	31.8	176.8
M - 2 with 55mm hex	9.5	41.7	15.5	83.3	41.7	19.1	31.8	176.8
M - 2 with 60mm hex	9.5	44.5	15.5	83.3	44.5	19.1	31.8	176.8

M - 4 MAX. TORQUE: 4239 Nm @ 700 BAR

Metric Description	"A"	"B"	"C"	"D"	"E"	"F"	"G"	"H"
M - 4 with 46mm hex	12.7	39.4	20.7	111.3	39.4	25.4	42.4	235.7
M - 4 with 50mm hex	12.7	41.9	20.7	111.3	41.9	25.4	42.4	235.7
M - 4 with 55mm hex	12.7	44.7	20.7	111.3	44.7	25.4	42.4	235.7
M - 4 with 60mm hex	12.7	47.5	20.7	111.3	47.5	25.4	42.4	235.7
M - 4 with 65mm hex	12.7	50.3	20.7	111.3	50.3	25.4	42.4	235.7
M - 4 with 70mm hex	12.7	53.1	20.7	111.3	53.1	25.4	42.4	235.7
M - 4 with 75mm hex	12.7	55.6	20.7	111.3	55.6	25.4	42.4	235.7
M - 4 with 80mm hex	12.7	58.4	20.7	111.3	58.4	25.4	42.4	235.7

M - 8 MAX. TORQUE: 8257 Nm @ 700 BAR

Metric Description	"A"	"B"	"C"	"D"	"E"	"F"	"G"	"H"
M - 8 with 55mm hex	15.9	48.0	25.9	138.9	48.0	31.8	53.1	294.6
M - 8 with 60mm hex	15.9	50.8	25.9	138.9	50.8	31.8	53.1	294.6
M - 8 with 65mm hex	15.9	53.3	25.9	138.9	53.3	31.8	53.1	294.6
M - 8 with 70mm hex	15.9	56.1	25.9	138.9	56.1	31.8	53.1	294.6
M - 8 with 75mm hex	15.9	58.9	25.9	138.9	58.9	31.8	53.1	294.6
M - 8 with 80mm hex	15.9	61.7	25.9	138.9	61.7	31.8	53.1	294.6
M - 8 with 90mm hex	15.9	67.3	25.9	138.9	67.3	31.8	53.1	294.6
M - 8 with 100mm hex	15.9	72.6	25.9	138.9	72.6	31.8	53.1	294.6

M - 16 MAX. TORQUE: 14,305 Nm @ 700 BAR

Metric Description	"A"	"B"	"C"	"D"	"E"	"F"	"G"	"H"
M - 16 with 70mm hex	19.1	59.4	31.0	166.9	59.4	38.1	63.5	353.6
M - 16 with 75mm hex	19.1	62.0	31.0	166.9	62.0	38.1	63.5	353.6
M - 16 with 80mm hex	19.1	64.8	31.0	166.9	64.8	38.1	63.5	353.6
M - 16 with 90mm hex	19.1	70.4	31.0	166.9	70.4	38.1	63.5	353.6
M - 16 with 100mm hex	19.1	75.9	31.0	166.9	75.9	38.1	63.5	353.6
M - 16 with 105mm hex	19.1	81.3	31.0	166.9	81.3	38.1	63.5	353.6
M - 16 with 115mm hex	19.1	86.9	31.0	166.9	86.9	38.1	63.5	353.6
M - 16 with 125mm hex	19.1	92.5	31.0	166.9	92.5	38.1	63.5	353.6

M - 32 MAX. TORQUE: 33,908 Nm @ 700 BAR

Metric Description	"A"	"B"	"C"	"D"	"E"	"F"	"G"	"H"
M - 32 with 90mm hex	25.4	76.7	41.4	222.5	76.7	50.8	84.8	471.4
M - 32 with 100mm hex	25.4	82.3	41.4	222.5	82.3	50.8	84.8	471.4
M - 32 with 105mm hex	25.4	87.6	41.4	222.5	87.6	50.8	84.8	471.4
M - 32 with 115mm hex	25.4	93.2	41.4	222.5	93.2	50.8	84.8	471.4
M - 32 with 125mm hex	25.4	98.8	41.4	222.5	98.8	50.8	84.8	471.4
M - 32 with 135mm hex	25.4	104.1	41.4	222.5	104.1	50.8	84.8	471.4
M - 32 with 145mm hex	25.4	109.7	41.4	222.5	109.7	50.8	84.8	471.4
M - 32 with 155mm hex	25.4	115.1	41.4	222.5	115.1	50.8	84.8	471.4

M - 64 MAX. TORQUE: 66,227 Nm @ 700 BAR

Metric Description	"A"	"B"	"C"	"D"	"E"	"F"	"G"	"H"
M - 64 with 125mm hex	31.8	105.2	51.8	278.1	105.2	63.5	106.2	589.3
M - 64 with 135mm hex	31.8	110.5	51.8	278.1	110.5	63.5	106.2	589.3
M - 64 with 145mm hex	31.8	116.1	51.8	278.1	116.1	63.5	106.2	589.3
M - 64 with 155mm hex	31.8	121.4	51.8	278.1	121.4	63.5	106.2	589.3
M - 64 with 165mm hex	31.8	127.0	51.8	278.1	127.0	63.5	106.2	589.3
M - 64 with 175mm hex	31.8	132.6	51.8	278.1	132.6	63.5	106.2	589.3
M - 64 with 185mm hex	31.8	137.9	51.8	278.1	137.9	63.5	106.2	589.3
M - 64 with 195mm hex	31.8	143.5	51.8	278.1	143.5	63.5	106.2	589.3